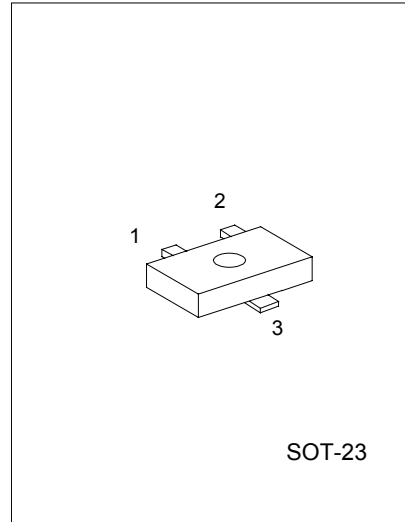
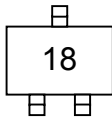


**AM/FM AMPLIFIER, LOCAL
OSCILLATOR OF FM/VHF
TUNER**

FEATURES

*High Current Gain Bandwidth Product
f_T=1.1GHz (Typ)

MARKING



SOT-23

1:EMITTER 2:BASE 3:COLLECTOR

ABSOLUTE MAXIMUM RATINGS (Ta=25°C, unless otherwise noted)

PARAMETER	SYMBOL	VALUE	UNIT
Collector-Base Voltage	V _{CBO}	30	V
Collector-Emitter Voltage	V _{CEO}	15	V
Emitter-Base Voltage	V _{EBO}	5	V
Collector Current	I _C	50	mA
Collector Power Dissipation	P _C	225	mW
Storage Temperature	T _{STG}	-55 ~ +150	°C
Junction Temperature	T _J	150	°C

ELECTRICAL CHARACTERISTICS (Ta=25°C)

PARAMETER	SYMBOL	TEST CONDITIONS	MIN	TYP	MAX	UNIT
Collector-Base Breakdown Voltage	BV _{CBO}	I _C =100uA, I _E =0	30			V
Collector-Emitter Breakdown Voltage	BV _{CEO}	I _C =1mA, I _B =0	15			V
Emitter-Base Breakdown Voltage	BV _{EBO}	I _E =100uA, I _C =0	5			V
Collector Cut-Off Current	I _{CBO}	V _{CB} =12V, I _E =0			50	nA
Collector-Emitter Saturation Voltage	V _{CE(SAT)}	I _C =10mA, I _B =1mA			0.5	V
DC Current Gain	h _{FE}	V _{CE} =5V, I _C =1mA	28	100	198	
Current Gain Bandwidth Product	f _T	V _{CE} =5V, I _C =5mA	700	1100		MHz
Output Capacitance	C _{ob}	V _{CB} =10V, I _E =0, f=1MHz		1.3	1.7	pF

CLASSIFICATION of h_{FE}

RANK	D	E	F	G	H	I
RANGE	28-45	39-60	54-80	72-108	97-146	132-198